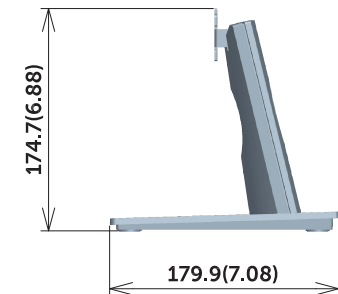
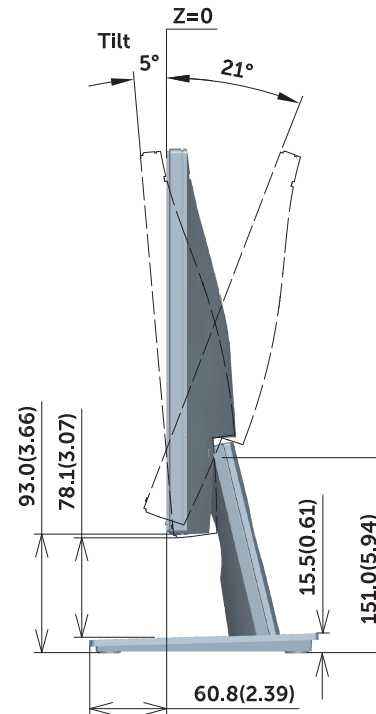
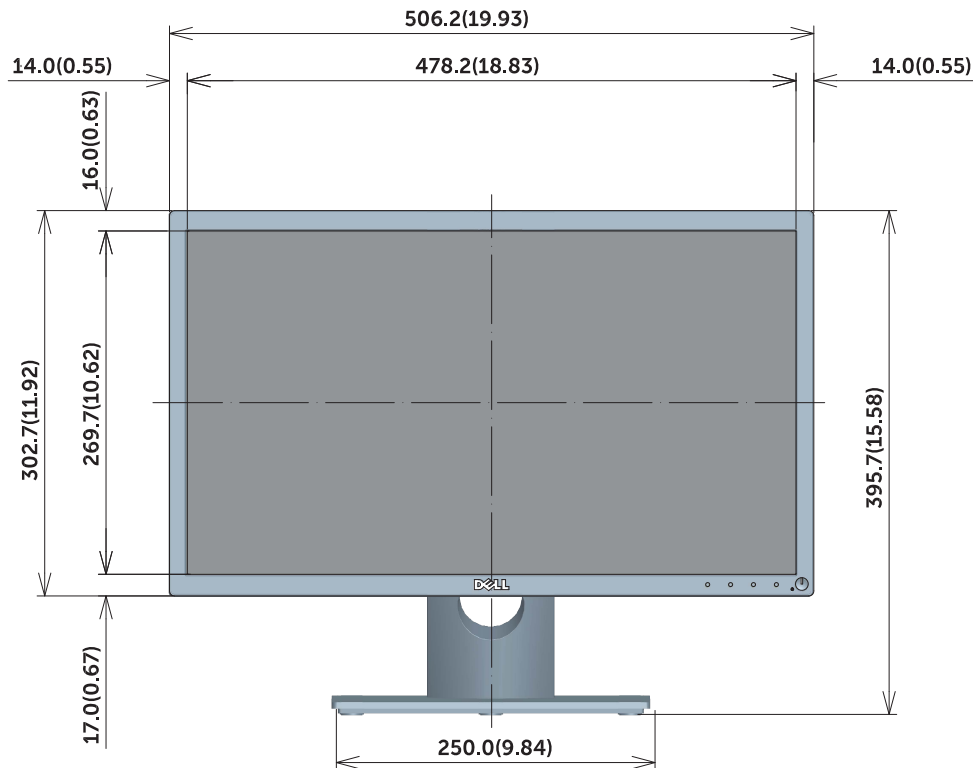
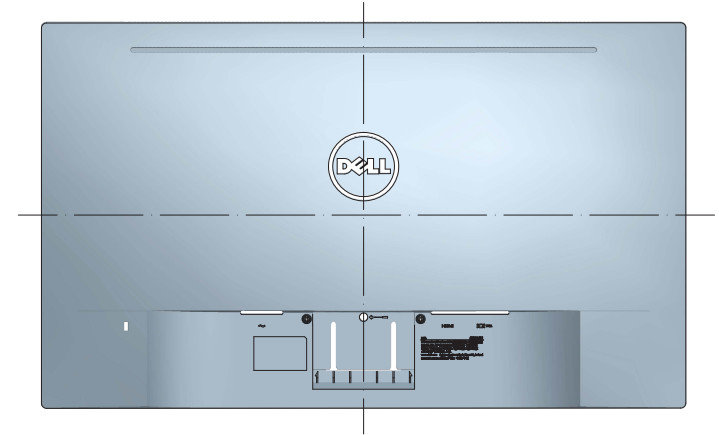
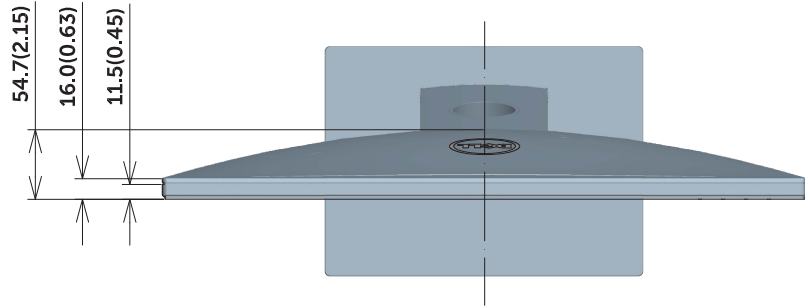


SE2216H/SE2216HM Outline Dimension

Unit : mm(inch)
Dimension : Nominal
Drawing : Not to scale



SE2216HV Outline Dimension

Unit : mm(inch)
Dimension : Nominal
Drawing : Not to scale

